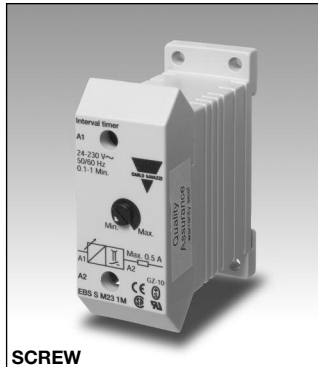
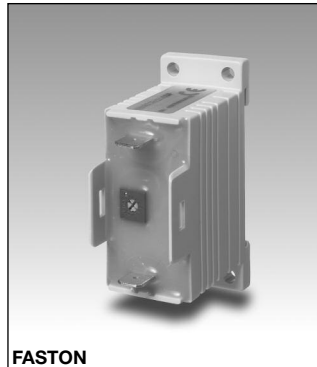


# Timers Interval Type EBS

CARLO GAVAZZI



SCREW



FASTON

- Fail-safe two-wire connection
- Low-cost
- Multi-voltage: 24-230 VAC
- Interval timer
- Time range: 0,5 s - 10 m
- Knob-adjustable time setting
- Output: SCR 10-500 mA (screws) and SCR 10-700mA (Fast-ON)
- For mounting on DIN-rail in accordance with DIN/EN 50 022
- 22,5 mm small Euronorm housing

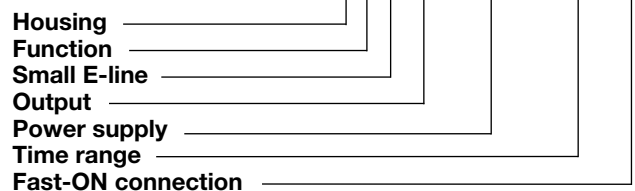
## Product Description

Small, low cost monofunction timer with adjustable time setting. 2-wire connection for easy and fail-safe use (see diagram). For mounting on DIN-rail or

directly on surface by screw. The timer is used e.g. with industrial relays or 3-phase contactors.

## Ordering Key

**EBS S M23 10S F**



## Type Selection

Mounting	Output	Time range	Connection	Supply: 24 - 230 VAC
For DIN-rail or for screw	SCR	0.5 - 10 s	Screws	<b>EBS S M23 10S</b>
	SCR	0.1 - 1 m	Screws	<b>EBS S M23 1M</b>
	SCR	1 - 10 m	Screws	<b>EBS S M23 10M</b>
For DIN-rail or for screw	SCR	0.5 - 10 s	Fast-ON	<b>EBS S M23 10S F</b>
	SCR	0.1 - 1 m	Fast-ON	<b>EBS S M23 1M F</b>
	SCR	1 - 10 m	Fast-ON	<b>EBS S M23 10M F</b>

## Time Specifications

<b>Time ranges</b>	
10 s	0.5 - 10 s
1 m	0.1 - 1 m
10 m	1 - 10 m
<b>Time range accuracy</b>	Max. setting: actual time $\geq$ max. set time min. setting: actual time $\leq$ min. set time
<b>Repeat accuracy</b>	$\leq 0.2\%$
<b>Time variation</b>	
Within rated power supply and ambient temperature	$\leq 0.1\%/V$ $\leq 0.2\%/^{\circ}C$
<b>Reset</b>	
Time and output	Power supply interruption $\geq 200$ ms

## Output Specifications

<b>Output</b>	SCR
<b>Output current</b>	
Maximum load current (screw terminals) (Fast-ON connection)	500 mA 700 m
Maximum current for 100 ms (screw terminals) (Fast-ON connection)	5.5 A 7 A
Minimum load current	10 m
<b>Leakage current</b>	$\leq 3.5$ mA @ 230 V typ.: 2 m
<b>Voltage drop</b>	$\leq 8$ VAC typ.: 5 VAC @ 50 mA

## Supply Specifications

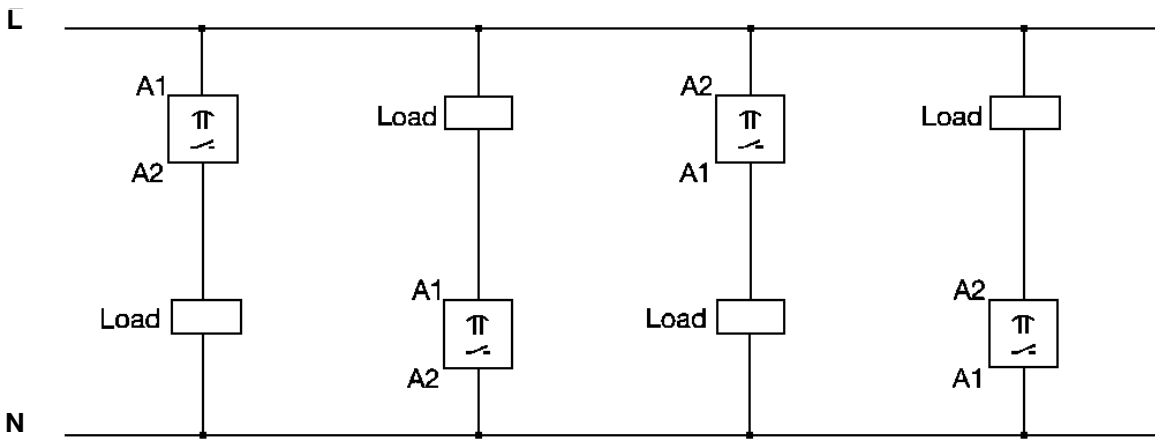
<b>Power supply</b>	Overvoltage cat. III (IEC 60664) (IEC 60038)
Rated operational voltage	24-230 VAC, -10/+15%
Rated insulation voltage	None



## General Specifications

<b>Power ON delay</b>	≤ 100 ms	<b>Dimensions</b> (Fast-ON connection)	22.5 x 56 x 44 mm
<b>Power OFF delay</b>	≥ 200 ms		<b>Material</b>
<b>Environment</b>		<b>Approvals</b>	UL, CSA
Degree of protection	IP 20	<b>CE Marking</b>	Yes
Pollution degree	3	<b>EMC</b>	Electromagnetic Compatibility Acc. to IEC 60801-4 Acc. to IEC 60801-5
Operating temperature	-20° to +50°C (-4° to +122°F)		
Storage temperature	-30° to +80°C (-22° to +176°F)	<b>Immunity</b>	
<b>Weight</b>	50 g		
<b>Housing</b>			
Dimensions (screw connection)	22.5 x 56 x 49 mm		
Max. screws tightening torque	0.5 Nm		

## Wiring Diagram



## Operation Diagram



## Dimensions

